

Fuseholder Open Design, 6.3 x 32 mm, THT



250 VAC · 2.5W/10A · 16A (UL)

**Description**

- Through hole mounting

Approvals

- UL File Number: E39328

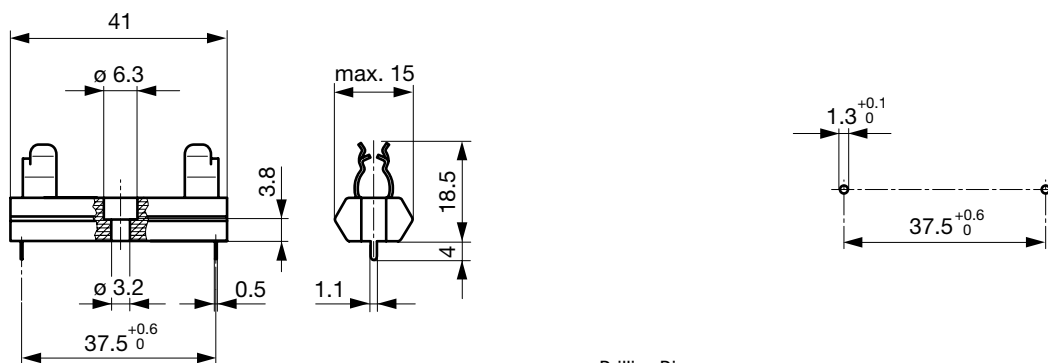
References[General Product Information](#)**Weblinks**[Approvals](#), [RoHS](#), [CHINA-RoHS](#), [e-Store](#), [SCHURTER-Stock-Check](#), [Distributor-Stock-Check](#)**Technical Data**

Fuse-Link	6.3 x 32mm
Mounting	PCB
Fastening	Screw or Rivet
Terminal	Solder THT
Rated Voltage	250VAC
Rated Current	16A (UL)
Rated Power Acceptance IEC	2.5W / 10A @ Ta 23°C Admissible power acceptance at higher ambient temperature see derating curves
Degree of Protection	IP 00
Protection Class	Suitable for appliances with protection class I or II acc. to IEC 61140
Admissible Ambient Air Temp.	-40°C to 85°C
Climatic Category	40/085/21 acc. to IEC 60068-1
Material: Terminals	Tin-Plated Copper Alloy
Unit Weight (Socket/Cap)	7.23 g
Storage Conditions	0°C to 60°C, max. 70% r.h.
Product Marking	Voltage Rating, Current Rating, Approvals

Soldering Methods	Wave
Solderability	235°C / 2 sec acc. to IEC 60068-2-20, Test Ta, method 1
Resistance to Soldering Heat	260°C / 10 sec acc. to IEC 60068-2-20, Test Tb, method 1A
Contact Resistance	< 5mΩ at 20 mV
Dielectric Strength	> 3kV between L-N (50Hz; 1 min)
Impulse Withstand Voltage	> 4kV between L-N
Insulation Resistance	> 10MΩ between L-N (500VDC; 1 min)
Overvoltage Category	I - III acc. to IEC 60664-1
Pollution Degree	1 - 3 acc. to IEC 60664-1

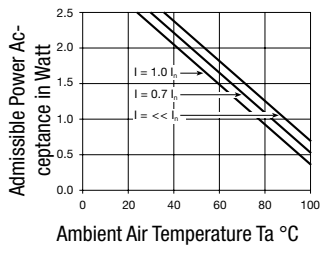
Dimensions

Length |—————| 41 mm



Drilling Diagram

Derating Curves for Fuseholders



Variants

[Distributor-Stock-Check](#) | [SCHURTER-Stock-Check](#) | [e-Store](#)

Holder	Order Number
●	0031.8002

Packaging Unit Bulk (100 pcs.)